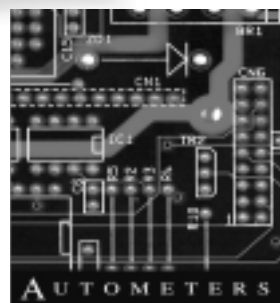




I N F O R M A T I O N
C E N T R E S
I C 8 1 0 S E R I E S



I N S T A L L A T I O N
A N D O P E R A T I N G
M A N U A L



I C 8 1 0

IC810/810R METER INSTALLATION AND OPERATION

CHECK CONTENTS

Package should contain:

1. Meter
2. Terminal cover
3. Fixing clamps (x2)

The IC 810/810R meter is designed to display kWh or kVarh power measurement information. An optional data communication module can be fitted to the meters.

The IC 810 meters are all fitted with one relay, volt free normally open contacts.

External dimensions 91 x 91
Clearance aperture required
92 x 92 mm

INSTALLATION OF THE METER

Mount the meter so that the front panel is vertical. A typical panel would be a switchgear cabinet door. The meter requires depth behind the panel of 115mm. Prepare a single square hole 92mm x 92mm.

MOUNTING THE METER WITH A CASSETTE MODULE

For the IC 810 with a communication cassette; after cutting the clearance aperture, remove the terminal cover from the meter. Engage the cassette module if supplied as a separate

item by plugging the module directly into the back of the meter. (See communication instructions publication 800 CI.1 98.)

Enter the meter into the aperture and secure using the two fixing clamps provided.

Connect the current terminals first numbered 1-8 followed by the voltage terminals numbered 9-11, the neutral terminal number 12 and finally the volt free relay terminals numbered 13 and 14.

When connecting wires to the communication module ensure that you first thread the cable through the hole in the terminal cover.

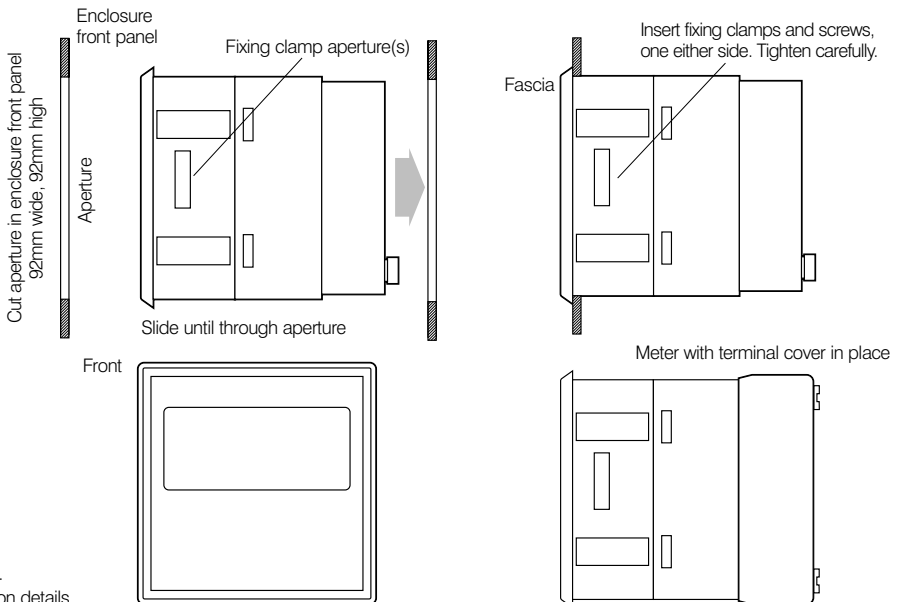


Figure 1.
installation details

PROGRAMMING THE CT RATIO

Setting is by means of a binary switch as Figure 3 To alter to desired C.T. setting slide white switch to correct position

See connection diagram for the communication module. (Communication instructions publication 800 Cl.1 98.)

Re-fit the terminal cover. The terminal cover can be sealed for extra security.

LOCATION

The meter should be mounted in a dry, dirt free environment away from heat sources and very high electric fields. Temperatures should not exceed 50°C (112°F) or fall below 0°C (32°F).

PRODUCT RANGE

Metering and monitoring equipment ranges from single and polyphase kWh electromechanical meters to a sophisticated range of fully programmable information centres. Also available are Electronic Meters, Panel Mounted Meters, Maximum Demand Meters, DIN Rail Meters and Current Transformers.

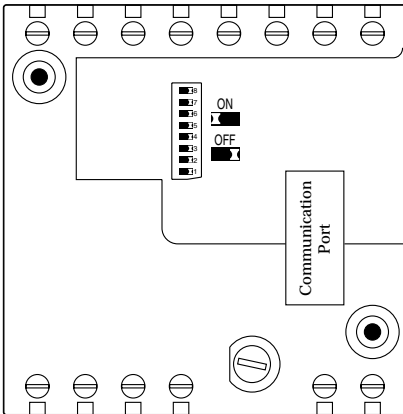
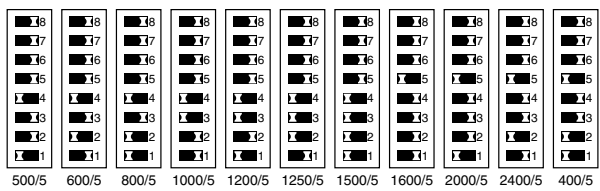
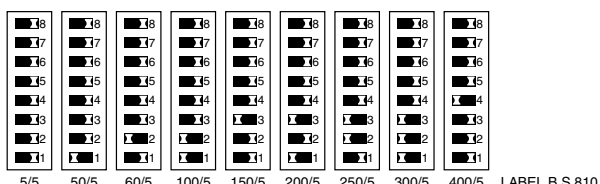


Figure 2. Indicates position of binary switch.



C.T. RATIO SWITCH POSITIONS

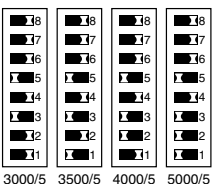


Figure 3. C.T. ratio switch positions

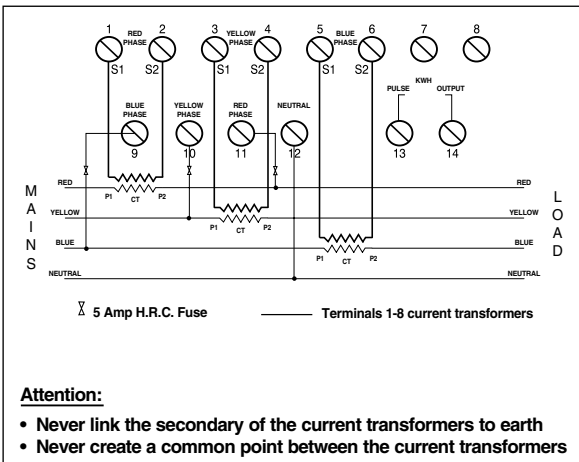


Figure 4.
connection diagram

WIRING

Electrical and communication connections are made directly to the back of the meters. Electrical connections are made to terminals 1-12, pulse output relays are numbered 13-14, and the RS485 communications directly to the communications cassette (optional extra)

ELECTRICAL CONNECTIONS

All meters should be connected using 2.5 sq.mm cable wired to their own independent current transformers. Phasing and polarity of the AC current and voltage inputs and their relationship is critical to the correct operation of the unit.

Product development is continuous and Autometers Ltd reserves the right to make alterations in specifications and manufacture without notice. Products as delivered may therefore differ from the description and illustration in this publication.

THE METERING AND MONITORING SPECIALIST



Autometers Ltd
 4B Albany Road, Chorlton-cum-Hardy, Manchester M21 0AW
 Tel: +44 (0)161 861 9056 Fax: +44 (0)161 881 3745
 email: worldsales.autometers@btinternet.com
www.autometers.co.uk