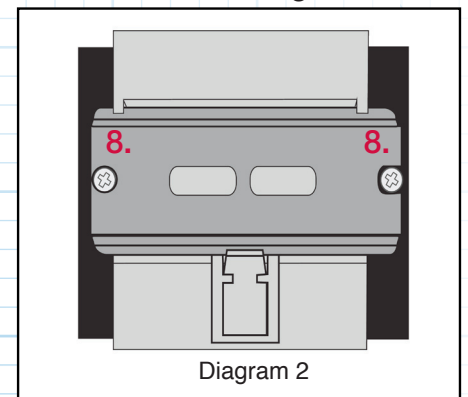
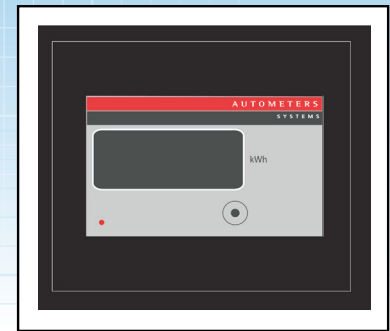
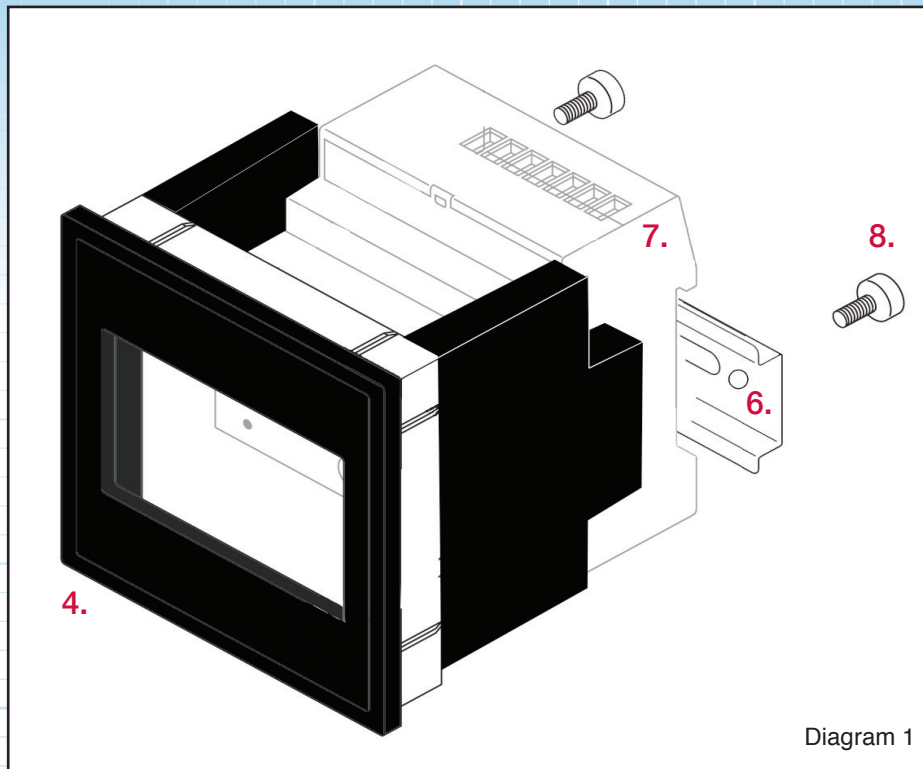


MID approved (Appendix B & D) panel mounted meter



Simple steps to convert your existing 96mm panel meter to a MID approved Din mounted meter. This installation should only be completed by a fully qualified and competent electrician who is aware of the latest electricity regulations.

1. Examine all the parts which make up the assembly and understand how they will be assembled to complete the conversion.
 2. Before removing the existing panel meter, make sure the electricity has been switched off and there is no voltage or current present at the meter terminals.
 3. With the meter removed from the panel you should now have a 92mm square open aperture.
 4. Insert the plastic case into the 92mm square hole in the panel.
 5. Fix the din rail in position on the back of the meter.
 6. Optional.....fix the din rail to the plastic with the meter terminal facing out, this will enable you to connect the wires into the meter more easily.
 - 6a. When all the wires have been connected into the terminals, remove the din rail from the plastic sides and turn the meter round so it now faces the front of the panel.
 7. Slide the meter into the plastic case ensuring the front of the meter locates and slightly protrudes through the front. (Diagram 1)
 8. Secure the din rail to the plastic case using the two M3 screws provided. (Diagram 2)
- The meter has now been wired and fitted into the front of the panel. Check all cable connections are correct and are firmly secure in the terminals, close the front of the panel and check it is safe to switch the power on.
9. The meter should now have power on and the display will illuminate.
 10. If the meter is a current transformer operated model you will be required to program the meter to match the current transformers fitted on the supply you are monitoring. (Please see meter technical hand book for programming the meter).

Autometers Systems Limited
 4B Albany Road, Chorlton-cum-Hardy, Manchester, M21 0AW
 Tel: +44 (0) 161 861 9056 Fax: +44 (0) 161 881 3745
 www.autometers.co.uk Email: sales@autometers.co.uk

Supplied by Autometers Systems Ltd,
 a quality assured company (IS 9001)



Publication No: DIN.Assess2012