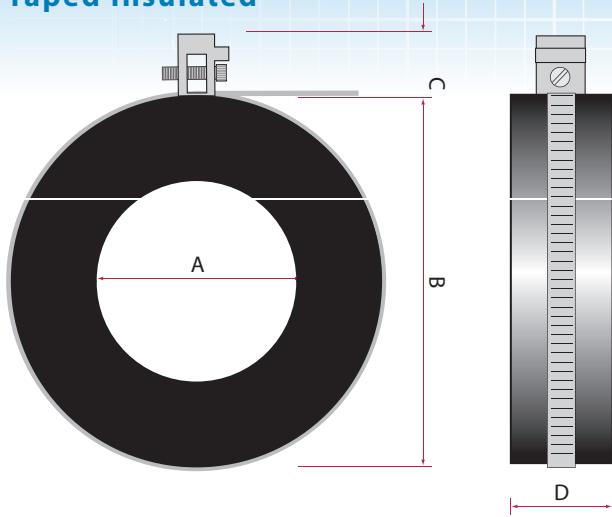
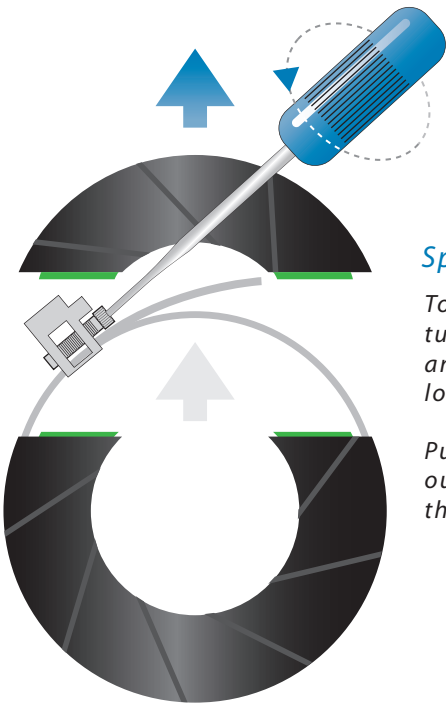


# Ring Type Split Core Current Transformers

## Taped Insulated



Type	Primary Current (A)	VA	Class	Inside Diameter (mm)
RTCT-1	100	1.5	1	32
	150	5	1	
	200	5	1	
RTCT-2	300	5	1	
	400	5	1	45
	500	5	1	
RTCT-3	600	5	1	
	800	5	1	65
	1000	5	1	
RTCT-4	1200	5	1	85
	1250	5	1	
	1500	5	1	
RTCT-5	1600	5	1	
	2000	5	1	105
	2500	5	1	
	3000	5	1	



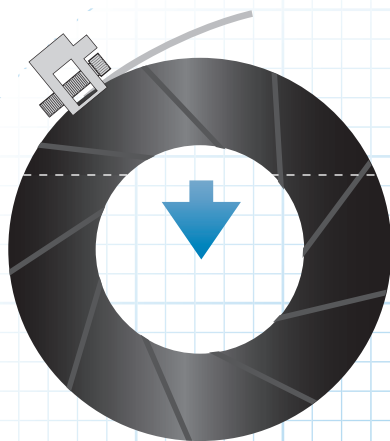
### Splitting

To separate the cores turn the screw anti-clockwise and loosen.

Push the upper core out sideways, leaving the clip in place.

### Sizes available

Size	A	B	C	D
1	32	88	12	35
2	45	95	12	30
3	65	115	12	25
4	85	145	12	30
5	105	165	12	30



### Refitting

Secure clamp by tightening screw

### Technical Specification

- Conforms to IEC 185/BS7626 and BSNE60044-1 / IEC 60044-1
- Rated Systems Voltage 0.72/3KV
- Ambient Temperature range -30°C to 80°C
- Frequency Range 50-60Hz
- Insulation Level 3KV for 1 minute
- Continuous Current, 1.2 x rated Current