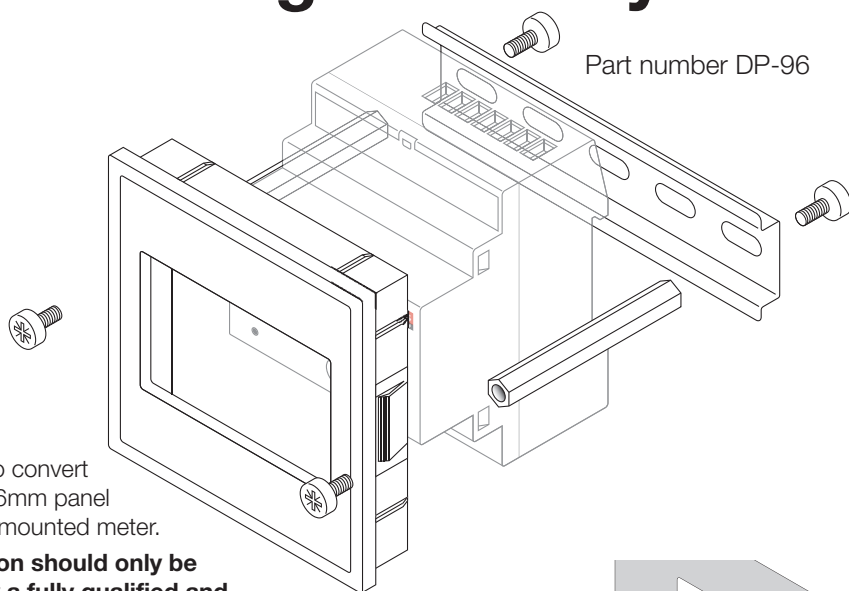


DIN rail to panel mounting assembly

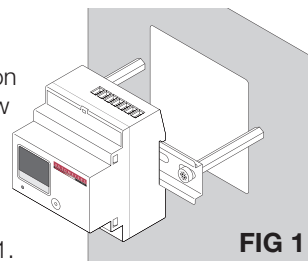


Simple steps to convert your existing 96mm panel meter to a Din mounted meter.

This installation should only be completed by a fully qualified and competent electrician who is aware of the latest electricity regulations.

1. Examine all the parts which make up the assembly and understand how they will be assembled to complete the conversion.
2. Before removing the existing panel meter, make sure the electricity has been switched off and there is no voltage or current present at the meter terminals.
3. With the meter removed from the panel you should now have a 92mm square open aperture, using the reverse side of the instructions place the template against the aperture and drill two holes as indicated on the template.
4. Install the two metal bars to the panel using the screws provided.
5. Fit the meter to the centre of the Din rail

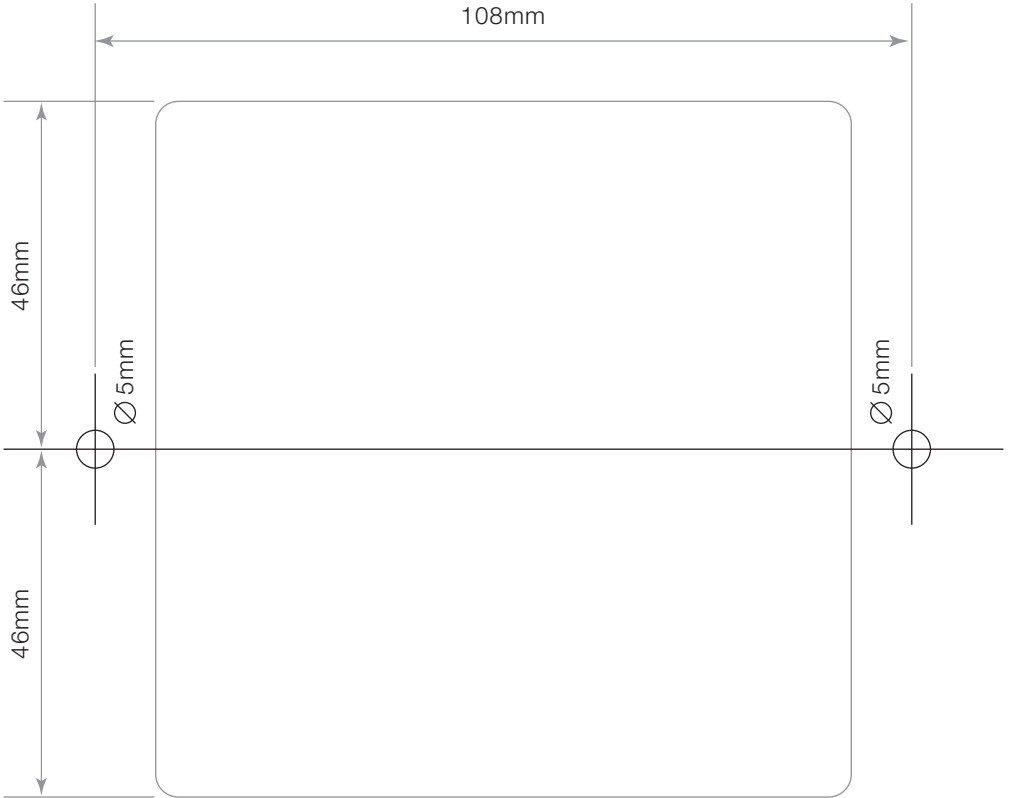
6. For connection purposes now fit the din rail to the bars with the meter facing out, see FIG 1.



7. Connect cables to the meter and secure terminal covers on the meter.
8. Clip the black plastic bezel with the new rectangular hole into the open 92mm aperture.
9. Carefully remove the Din rail with the meter on from the two bars and turn the meter round so the front now faces the aperture of the new panel, slowly present the meter to the front and secure screws.

The meter should just come through the plastic aperture by about 2mm.

DIN rail to panel mounting assembly



fixing template



+44 (0)161 861 9056
sales@autometers.co.uk
www.autometers.co.uk