

HXE12 MID Approved (Appendix "B" and "D")

One phase two wire kWh meter
230 Volt, 50 Hz, 80 Amp.

Overview

Active Energy-meter for single phase alternating current with 8 digits counters. 7 whole numbers and one decimal place. The meter comes standard with extended terminal cover.

- Terminal cover indicator switch (Arrow points to number (2) on display if removed)
- External magnetic influence (Arrow points to number (1) on display)
- Green back light display for ease of reading.
- Pulse output. (SO 100 imp/kWh)
- Supplied by Autometers Systems Ltd a quality assured company (IS 9001)
- Solar PV generation meter

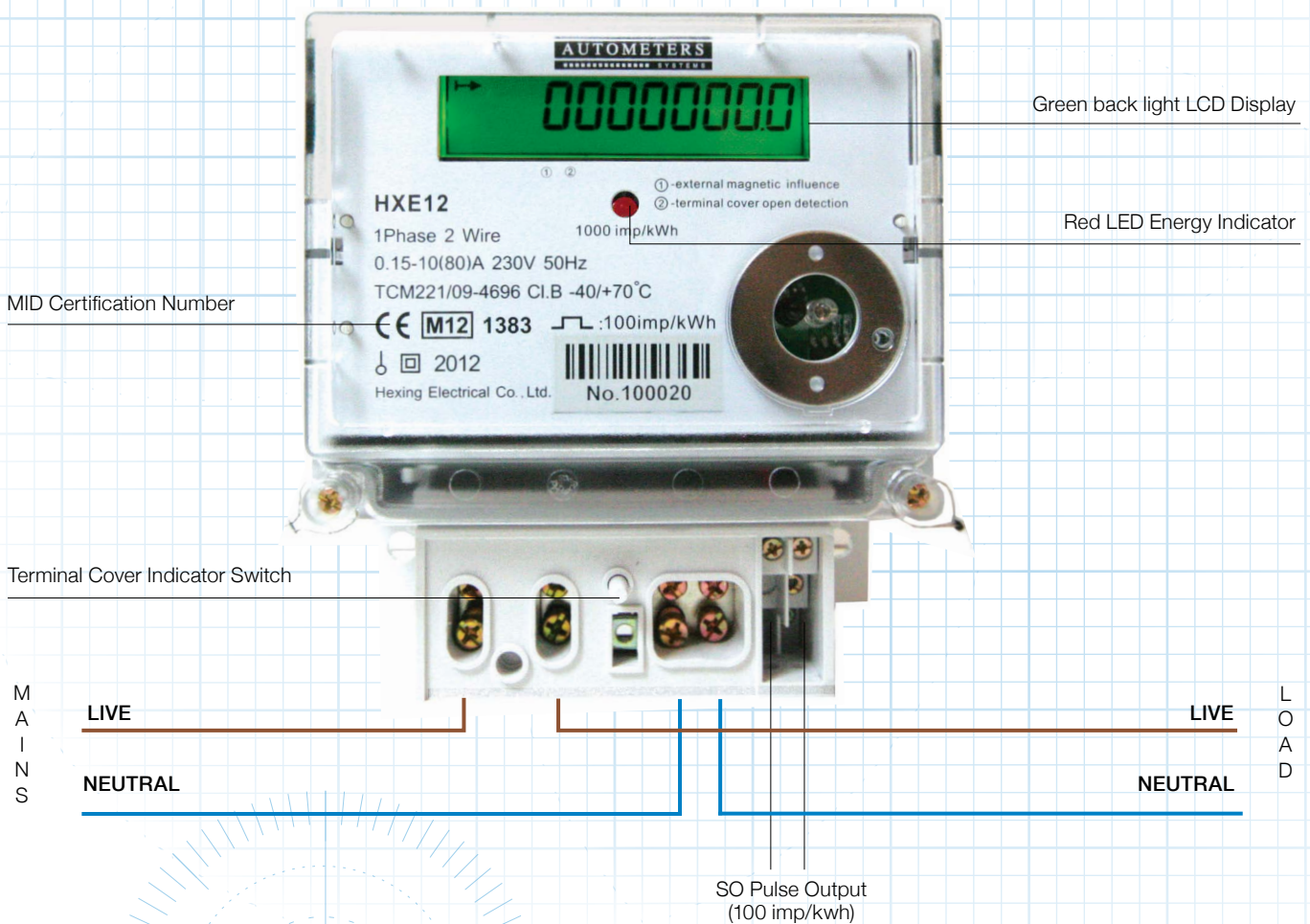


Picture illustrated with extended terminal cover

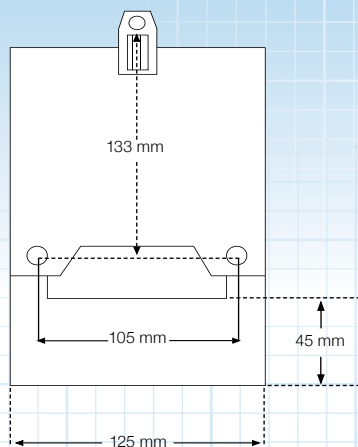
Display

	Unit	ID
Active Energy	kWh	Energy Import

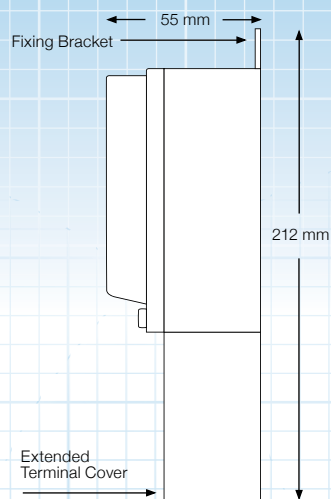
HXE12 Features



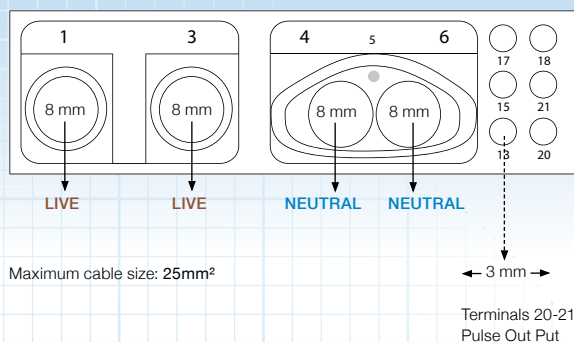
Back of meter



Side of meter



Bottom of meter



Technical Data

Data in compliance with EN 62052-11, EN 62053-21, EN62053-31, DIN 43857-1, EN62056-21, DIN 43857-3

Measuring scope	Active energy, MD
Rated voltage	230 V
Voltage range	0.8UN~1.2UN
Rated Frequency	50 Hz
Rate Indicator LED	1000 imp/k Wh
Communication	Optical port, RS485 with EN 62056-21
Communication	SO Pulse Output 100imp/kWh
Accuracy class	C1.B
Basic current	10 A
Maximum current	80 A
Minimum current	150 mA
Starting current	15 mA
Power consumption	Voltage circuit \leq 1W Apparent Power at UN \leq 10VA Current circuit \leq 1VA
Tamper detection	Open terminal cover, External magnetic detection
Display	8 digits LCD, 7 integers and 1 decimal
Operating temperature range	-40° + 70°C
Humidity operating range	95%
Degree of protection	IP54
Meter life	No less than 15 years
Weight	Approximate 1.0kg
Dimensions (L x W x H)	212 mm x 125 mm x 55 mm
Meter cover	Transparent PC
Meter base	Glass fibered PC
Terminal Box cover	Glass fibered PC

Autometers Systems Limited

4B Albany Road, Chorlton-cum-Hardy, Manchester, M21 0AW

Tel: +44 (0) 161 861 9056 Fax: +44 (0) 161 881 3745

www.autometers.co.uk Email: sales@autometers.co.uk

Product development is continuous and Autometers Systems Ltd reserves the right to make alterations and manufacture without notice. Products as delivered may therefore differ from the descriptions and illustrations in this publication.

Supplied by Autometers Systems Ltd, a quality assured company (IS 9001)



Publication No: AD3-80MBIC2012