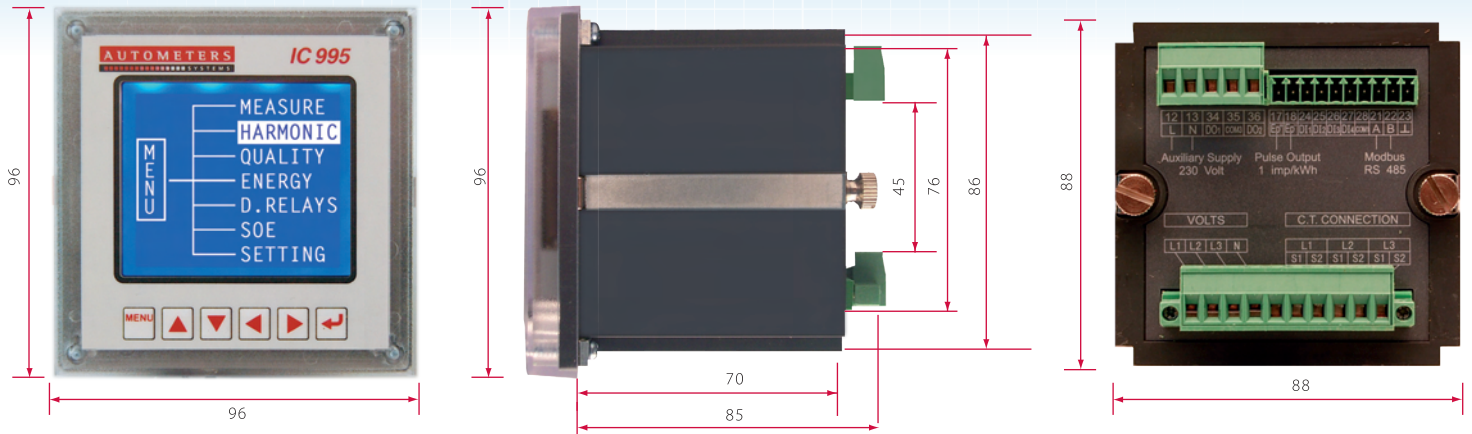


IC 995 Technical Data & Performance

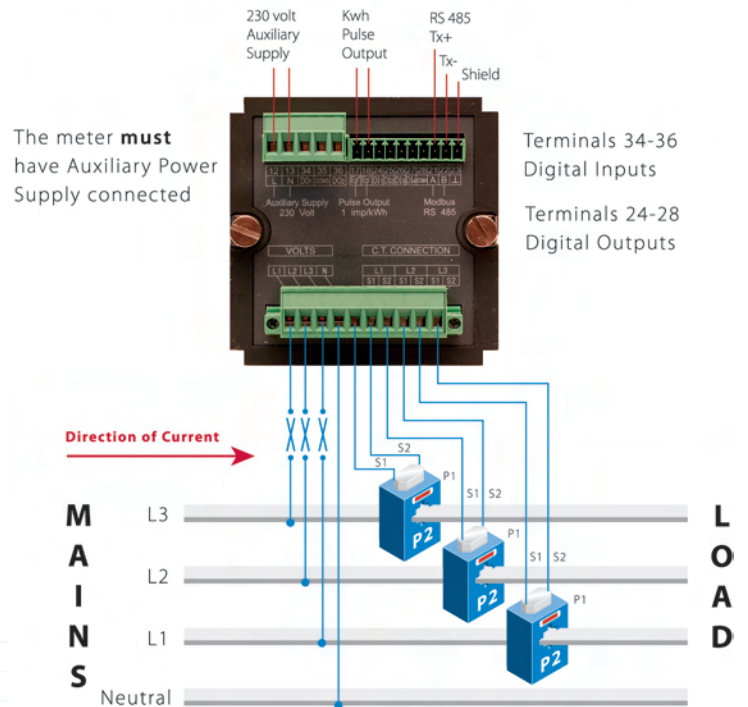
Dimensions



Technical Parameters

Feature	Values
Network	1ph2w, 3P3W, 3P4W
Frequency	45~65Hz
Voltage	Normal: AC 100V, 400V
Input	Overloading: 600V (continuous); 1000V / 30s Consumption: < 0.2VA
Current	Normal: AC 1A, 5A Overloading: 6A(continuous); 50A /1s Consumption: < 0.2VA
Pulse output	Mode: Optocoupler pulse output, volt free
Communication	RS485 (Modbus-RTU)
Digital input (DI)	4 drying contact inputs, with +5V power
Digital output (DO)	Mode: 2 NO contacts (AC 250V/3A, DC 30V/3A)
Accuracy	Frequency 0.01Hz, reactive energy 1 class, others 0.5 class
Display	LCD with backlight
Power supply	AC/DC 85~270V; consumption: ≤4VA
Isolation	Power / current input / voltage input: AC2kV/1min; Power / Digital inputs / RS485: AC1.5kV/1min; Inputs / outputs / housing >5M _U
Environment	Working T: -10C~+45C; Storing T: -20C~+70C Relative humidity: 5%~95% Non-Condensing; Altitude: ≤2500m
Material used	Polycarbonate v.0 rated

Connection Diagram 3 phase 4 wire, 230/400v 50Hz



Performance and Data

Measurements

The unit is designed for measuring 3 phase 4 wire star 230/400 volt, 50Hz

Outputs

There is one optically isolated volt free relay kwh on the IC 995 meter

Pulse duration: Default 100 ms

Pulse Value: Default 10 kwh/imp

Relay contacts maximum switching voltage 230 volt 100 Ma

Maximum switching current 0.75 amp (switching power 30 va)

Communication Output

Fully programmable 485 Modbus

Baud Rate: 9600

Wire Mode: 2 WIRE

Modbus Type: RTU

Parity Type: EVEN

Data Format: FLOATING POINT

FP. Format: HIGH WORD 1st

IMPORTANT.

The attention of the specifier, purchaser, installer or user is drawn to special measures and limitations to use which must be observed when these products are taken into service to maintain compliance with the CE directives. Details of these special measures and limitations of use are available from HMSO.

Product development is continuous and Autometers Systems Ltd reserves the right to make alterations and manufacture without notice. Products as delivered may therefore differ from the descriptions and illustrations in this publication.



Autometers Systems Limited,

4B Albany Road,
Chorlton-cum-Hardy,
Manchester.
M21 0AW

Tel: +44 (0) 161 861 9056

Fax: +44 (0) 161 881 3745

www.autometers.co.uk

Email: sales@autometers.co.uk

Sales Leaflet: IC995.01.09.09